



**PRODUCT MATERIAL**

Steel and Alu

**LIGHT SOURCE**

Philips LED Module

**MODULE LIFETIME**

Approx. 50.000 hours

**LED COOLING**

Passive cooling

**DRIVER**

Incl. Xitanium driver.

**COLORS**

- 3 = RAL 9003 white
- 5 = RAL 9005 black
- 6 = RAL 9006 alu

**DIFFUSER**

Opal

**ADJUSTABLE**

Yes

**SIZE**

483 X 162MM



**OPTIONS**

<b>COLORS</b>	Available in all RAL colours on request Additional price + 10%		
<b>EMERGENCY BALLAST</b>	0187.003.1	1 hours	€ 180,00
<b>DIMMABLE</b>	Dimmable DALI		€ 60,00
<b>RECESSED RING*</b>	Semi-recessed ring		€ 45,00

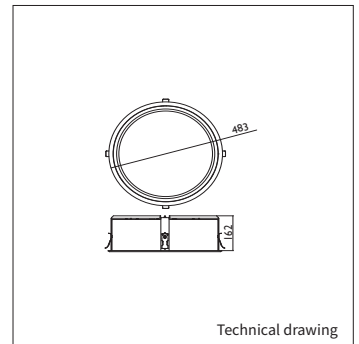
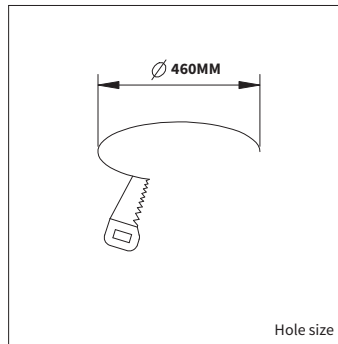
**INFORMATION**

Δ see colors

\* This luminaire is also available with an additional ring which turns the luminaire into a semi recessed housing. The opal diffuser can be mounted on 2 different levels, flat recessed or semi-recessed.

Keylight International reserves the right to modify or change technical, construction or LED specifications due to continuous improvements of our products and light sources. The light source in this product can be replaced with an equivalent module made by Philips, Osram or Tridonic.

AUSTIN 48



ART.NR.	LAMP TYPE	BRAND	LUMINOUS FLUX	OUTPUT POWER	MODULE EFFICIENCY	COLOUR TEMPERATURE	CRI	TC LIFETIME	POWER FACTOR
Δ see color									
4034.183.91Δ	LED Plate	Philips	3900LM	29W	134LM/W	3000K	>80	50.000 Hrs	>09,
4034.184.91Δ	LED Plate	Philips	4000LM	29W	138LM/W	4000K	>80	50.000 Hrs	>09,