



ATIM

PRODUCT MATERIAL	Stainless Steel & Aluminium
LIGHT SOURCE	Osram LEDPlate
MODULE LIFETIME	Approx. 50.000 hours
LED COOLING	Passive cooling
DRIVER	Incl. standard Osram driver.
COLORS (Δ)	<input type="radio"/> 3 = RAL 9003 white <input checked="" type="radio"/> 5 = RAL 9005 black <input type="radio"/> 6 = RAL 9006 alu
REFLECTOR PLATE	Clear Glass
ADJUSTABLE	No
SIZE	411 X 301 X 301MM



OPTIONS

COLORS	Available in all RAL colours on request Additional price + 10%
---------------	---

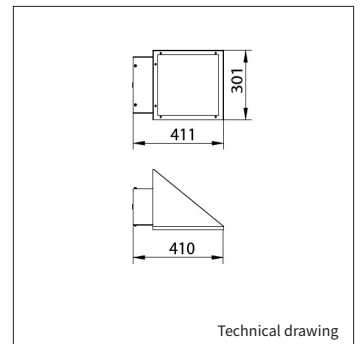
INFORMATION

WARRANTY	5 Years
-----------------	---------

Δ see colors

Keylight International reserves the right to modify or change technical, construction or LED specifications due to continuous improvements of our products and light sources. The light source in this product can be replaced with an equivalent module made by Philips, Osram or Tridonic.

ATIM



ART.NR.	LAMP TYPE	BRAND	LUMINOUS FLUX	OUTPUT POWER	MODULE EFFICIENCY	COLOUR TEMPERATURE	CRI	TC LIFETIME	POWER FACTOR
Δ see color									
8243.181.91Δ	LEDPlate	Osram	2600LM	33W	75LM/W	3000K	>80	50.000 Hrs	>0,9
8243.182.91Δ	LEDPlate	Osram	2600LM	33W	80LM/W	4000K	>80	50.000 Hrs	>0,9