



ALASKA

PRODUCT MATERIAL	Die-cast Aluminium
LIGHT SOURCE	LED Disk
MODULE LIFETIME	Approx. 50.000 hours
LED COOLING	Passive cooling
DRIVER	Incl. integrated driver
COLORS	○ 3 = RAL 9003 white
BEAM ANGLE	60°
ADJUSTABLE	No
SIZE	106 X 120MM



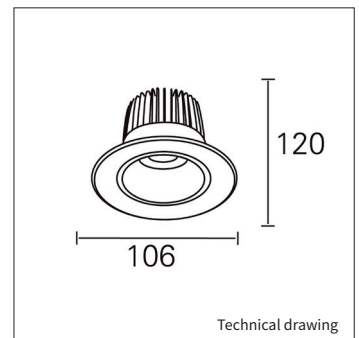
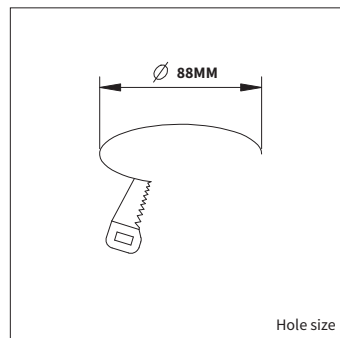
INFORMATION

WARRANTY	5 years
-----------------	---------

Including cable and plug

Keylight International reserves the right to modify or change technical, construction or LED specifications due to continuous improvements of our products and light sources. The light source in this product can be replaced with an equivalent module made by Philips, Osram or Tridonic.

ALASKA



ART.NR.	LAMP TYPE	BRAND	LUMINOUS FLUX	OUTPUT POWER	MODULE EFFICIENCY	COLOUR TEMPERATURE	CRI	TC LIFETIME	POWER FACTOR
Δ see colors									
4106.142.85.3	Disk G3	Philips	800LM	12W	68LM/W	3000K	>80	50.000 Hrs	>0,9